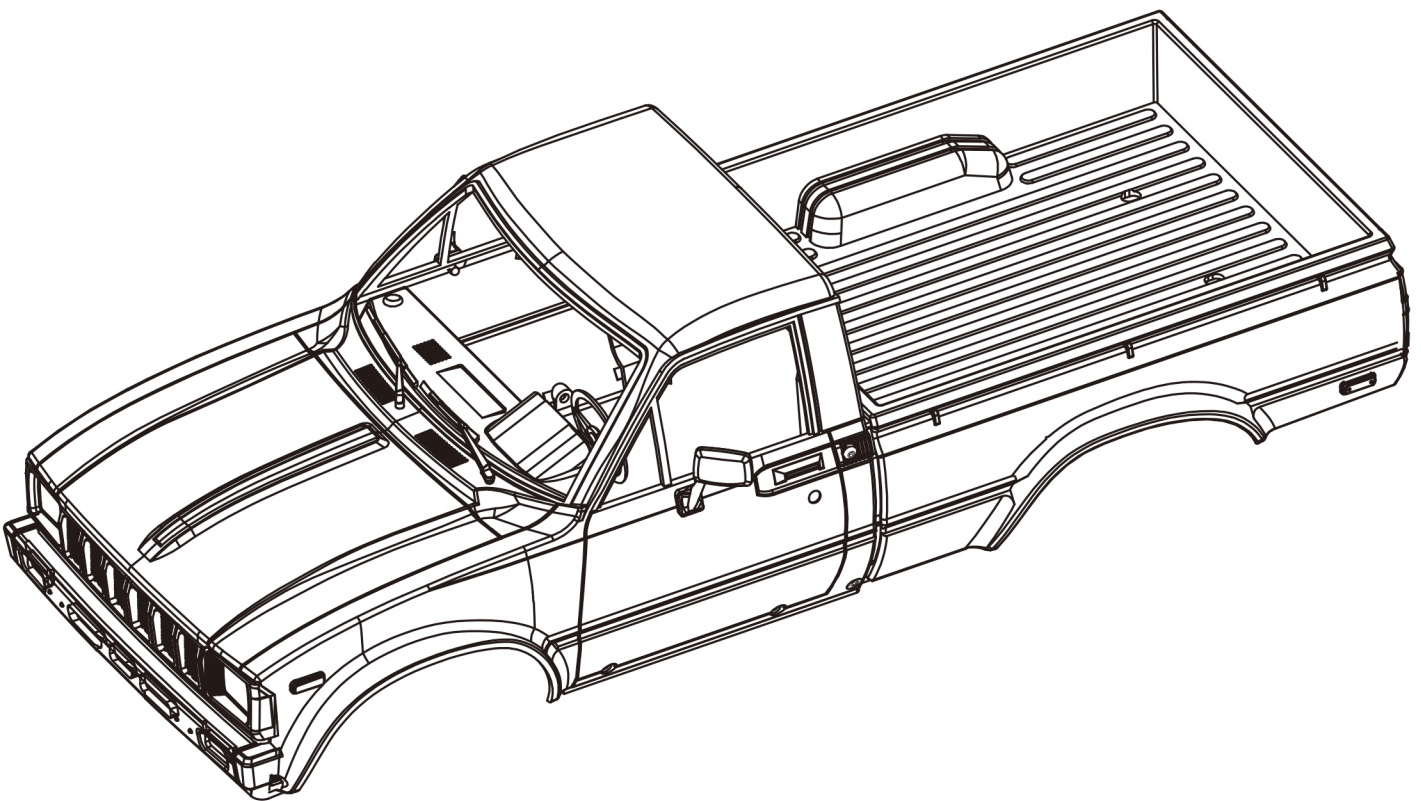
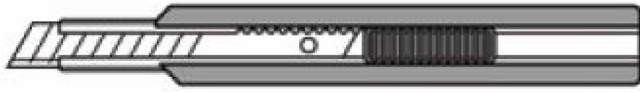


Mojave II

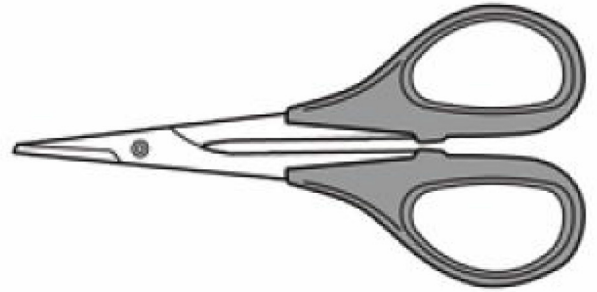
1/10 SCALE TRUCK BODY



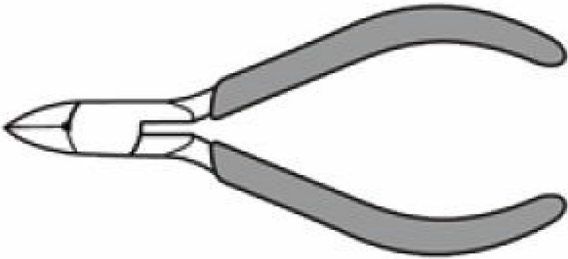
Recommended Tools



Curved scissors



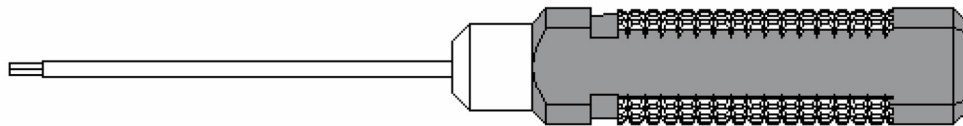
Modelling / Craft knife



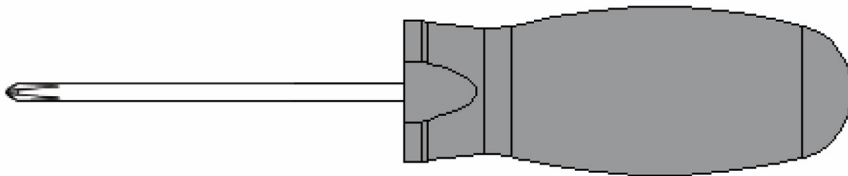
Instant glue/plastic cement



Side cutters



Hex drivers 1.5mm, 2mm



Cross head screwdriver (small)

Tips for Assembly

It is recommended that that body parts are painted with acrylic paint after removing the parts from the parts trees but before assembly.

Test fit parts before applying glue and use glue sparingly.

It is best to use Non -whiting CA glue



RC4WD Limited Warranty

All RC4WD products are warranted to be free of defects in materials and workmanship when new. Our limited warranty does not cover damages due to normal wear and tear, user error of assembly or installation, user modifications, user's failure to perform routine maintenance, addition of aftermarket parts or option parts. This warranty lasts as long as the original purchaser owns the product. In the event of a defect under this warranty, RC4WD will, at our discretion, replace the product, provided our inspection indicates that an original defect exists. RC4WD reserves the right to replace any product which is no longer available with a product of comparable value and function. If RC4WD determines the repair is not covered under warranty guidelines, we will contact you to discuss your options. If you have any questions, please contact us via email at support@rc4wd.com

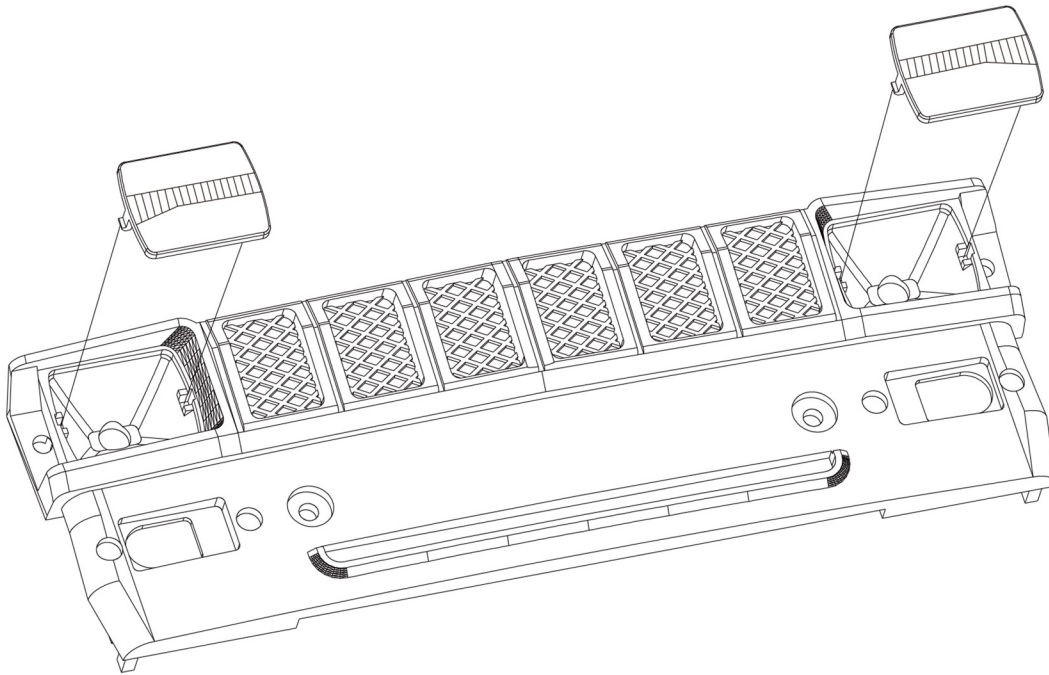


All hardware should be taken from Bag B

●1



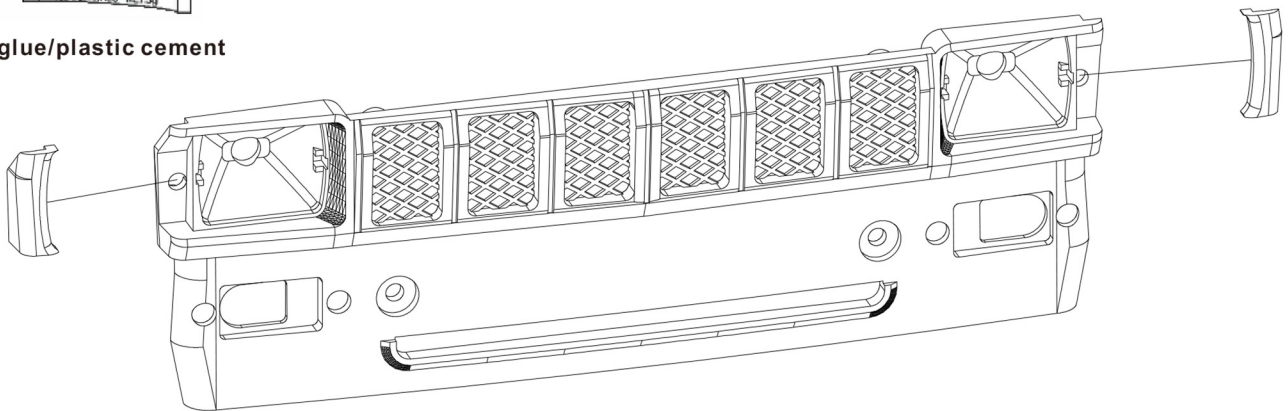
●2



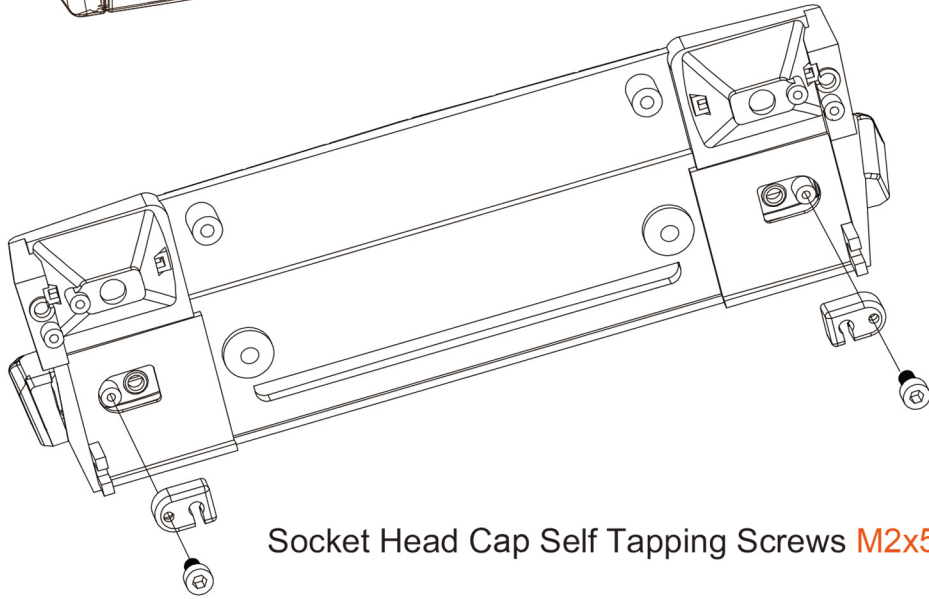
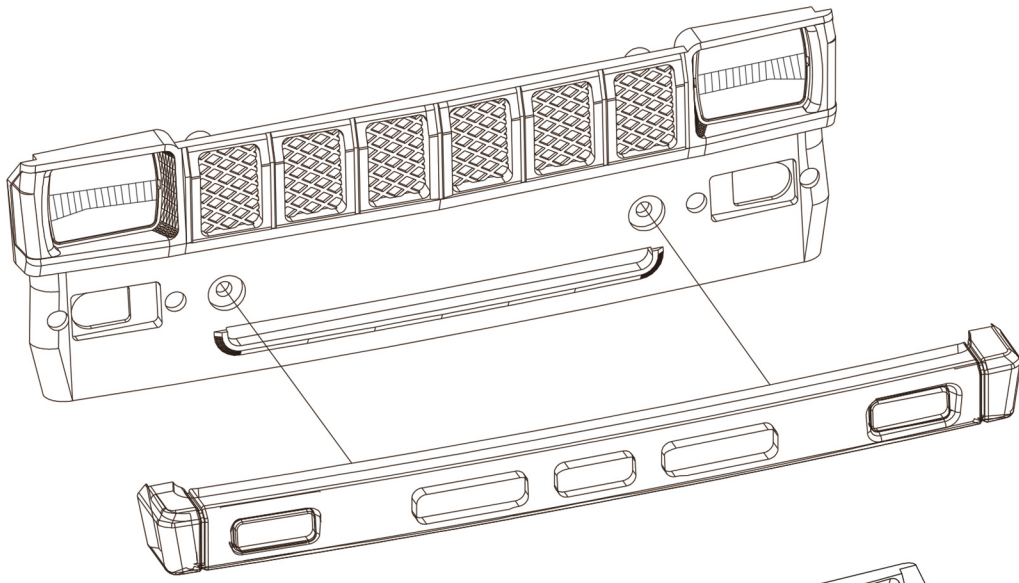
●3 Glue required



Instant glue/plastic cement

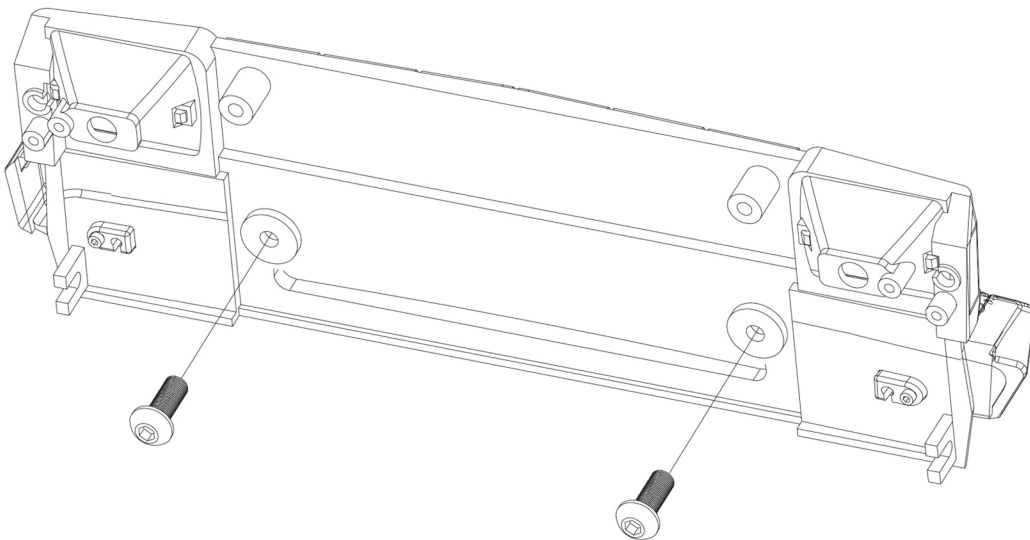


●4



Socket Head Cap Self Tapping Screws **M2x5mm**

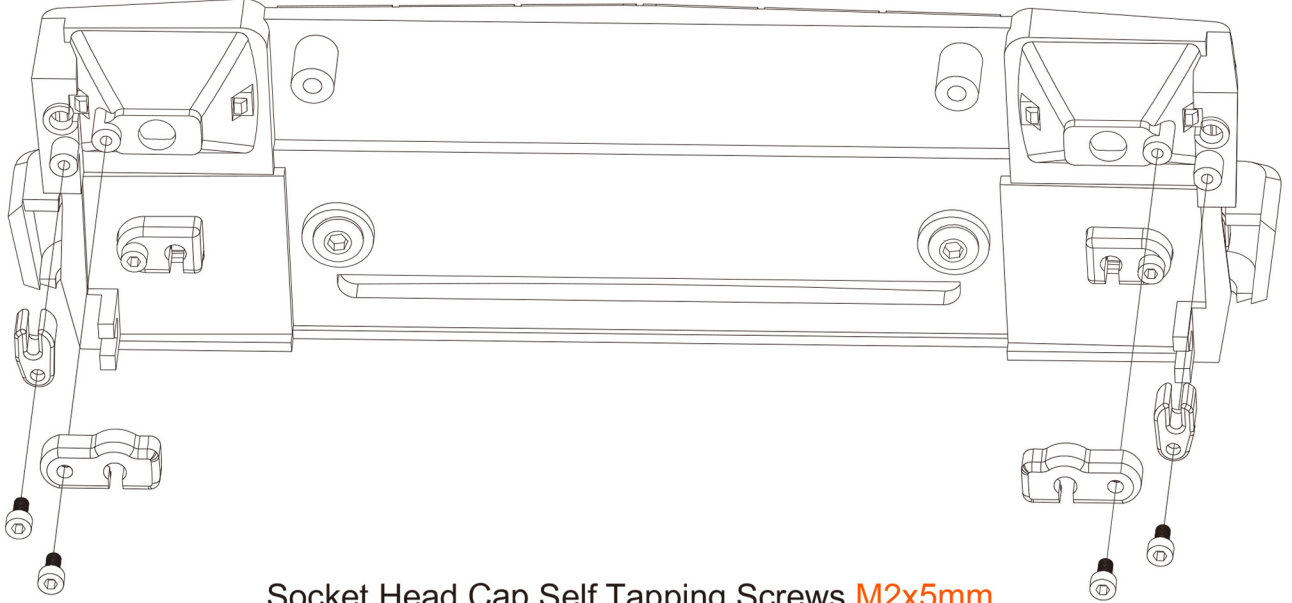
●5



Button Head Cap Self Tapping Screws **M3x6mm**

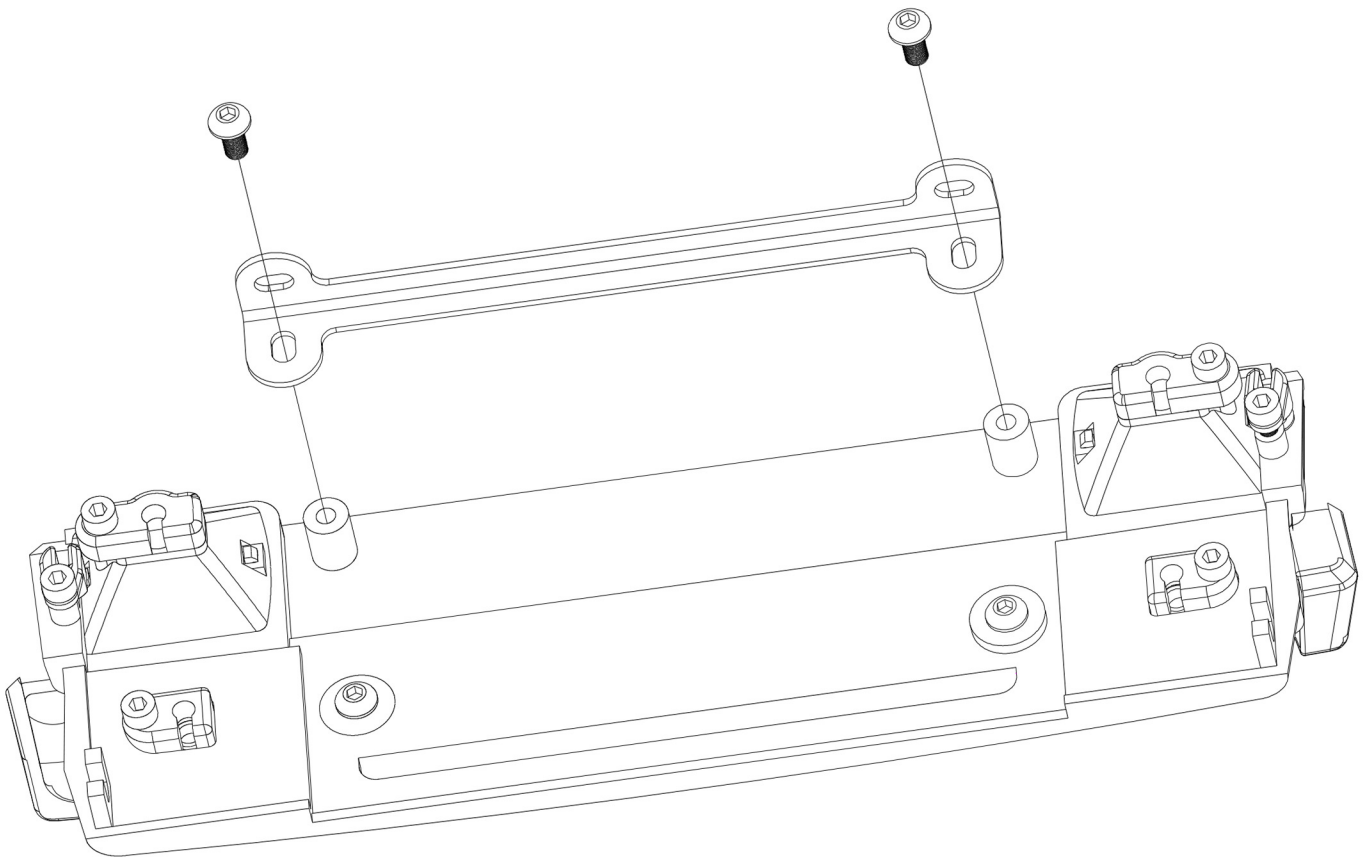


•6



Socket Head Cap Self Tapping Screws **M2x5mm**

•7

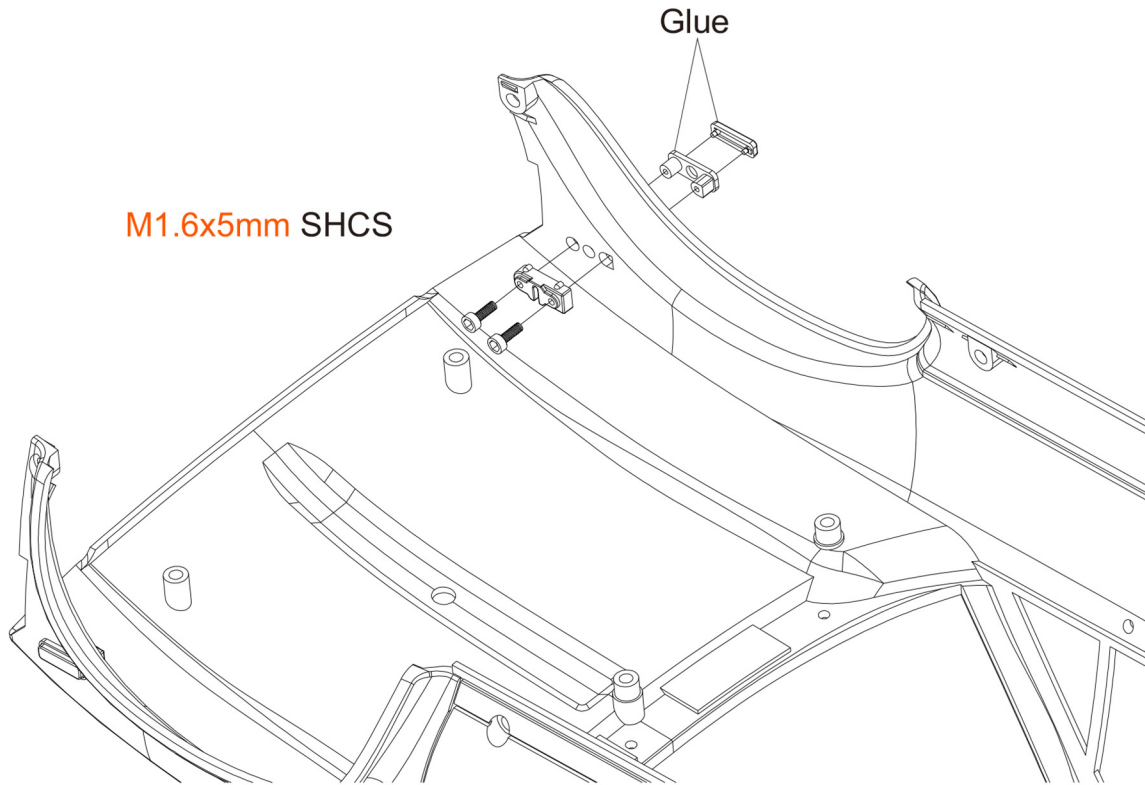


Button Head Cap Self Tapping Screws **M3x6mm**

●8 Glue required



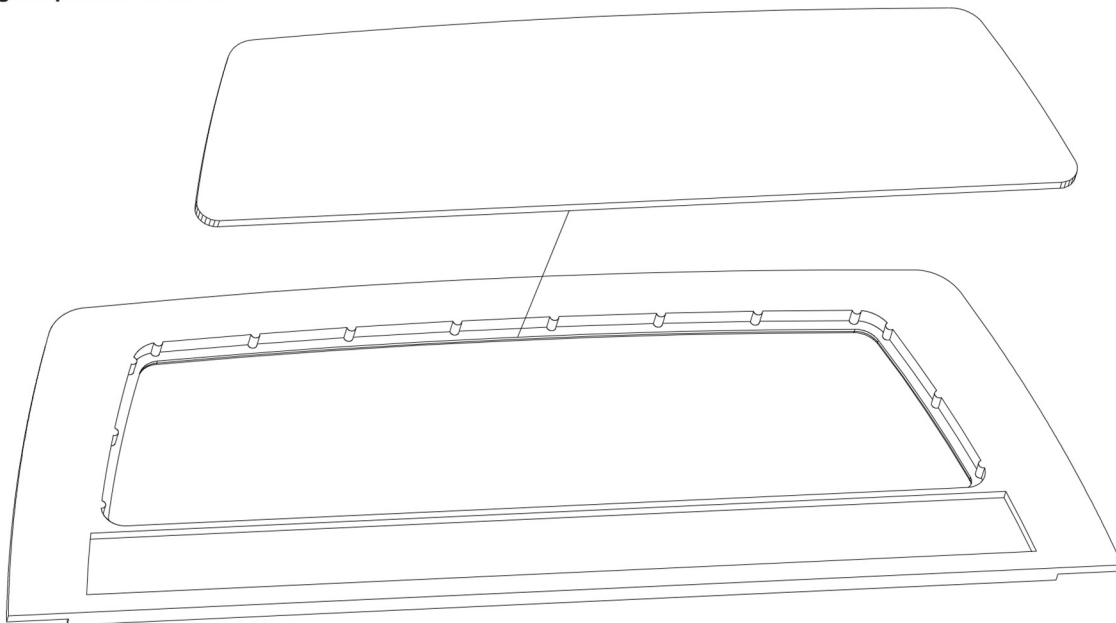
Instant glue/plastic cement



●9 Glue required



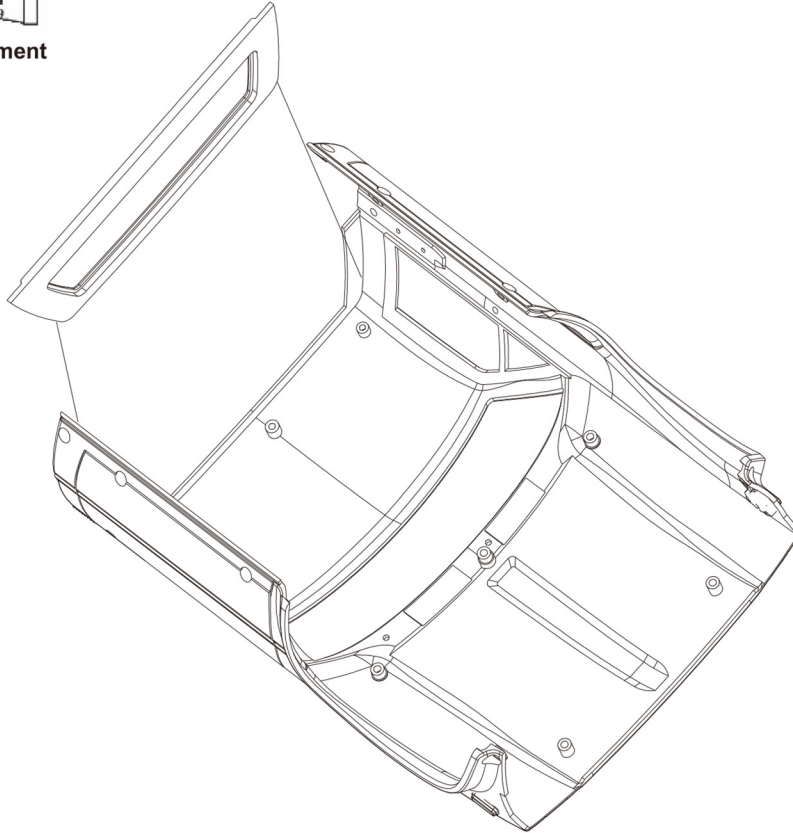
Instant glue/plastic cement



●10 Glue required



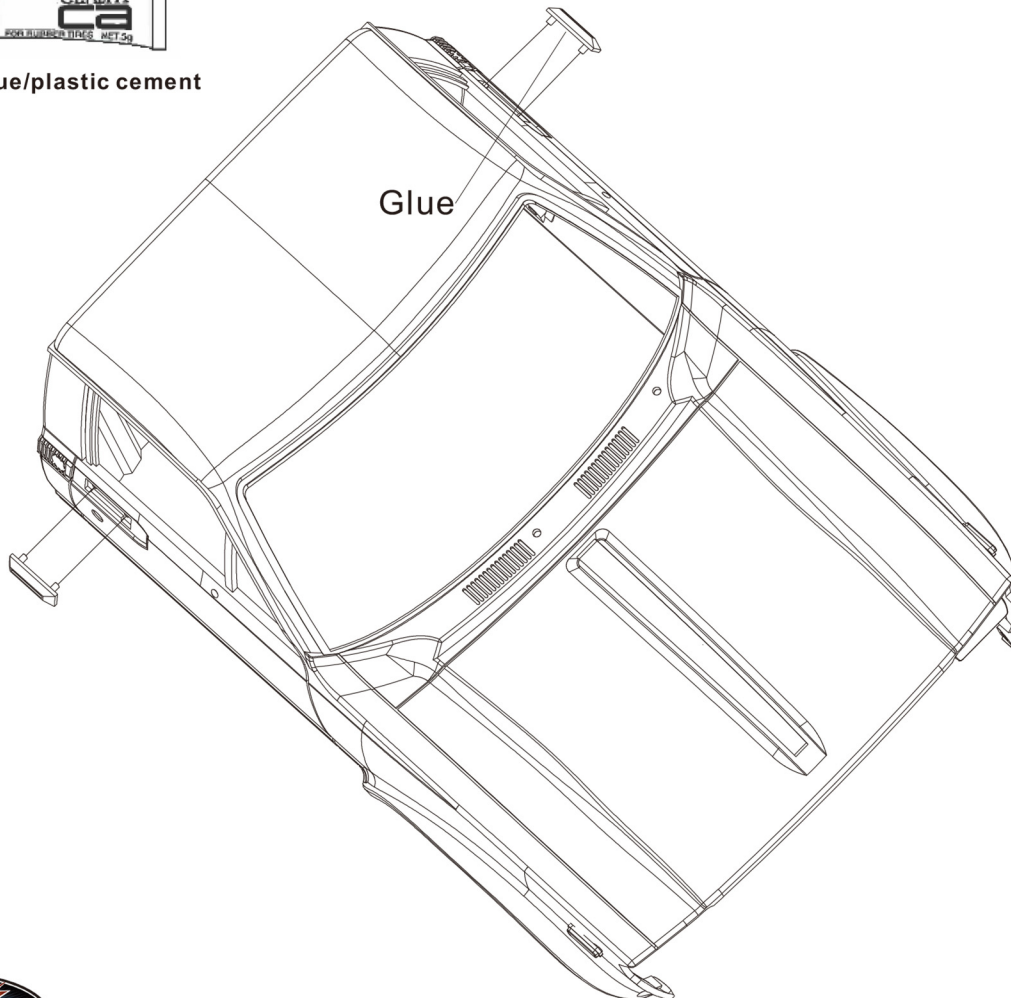
Instant glue/plastic cement

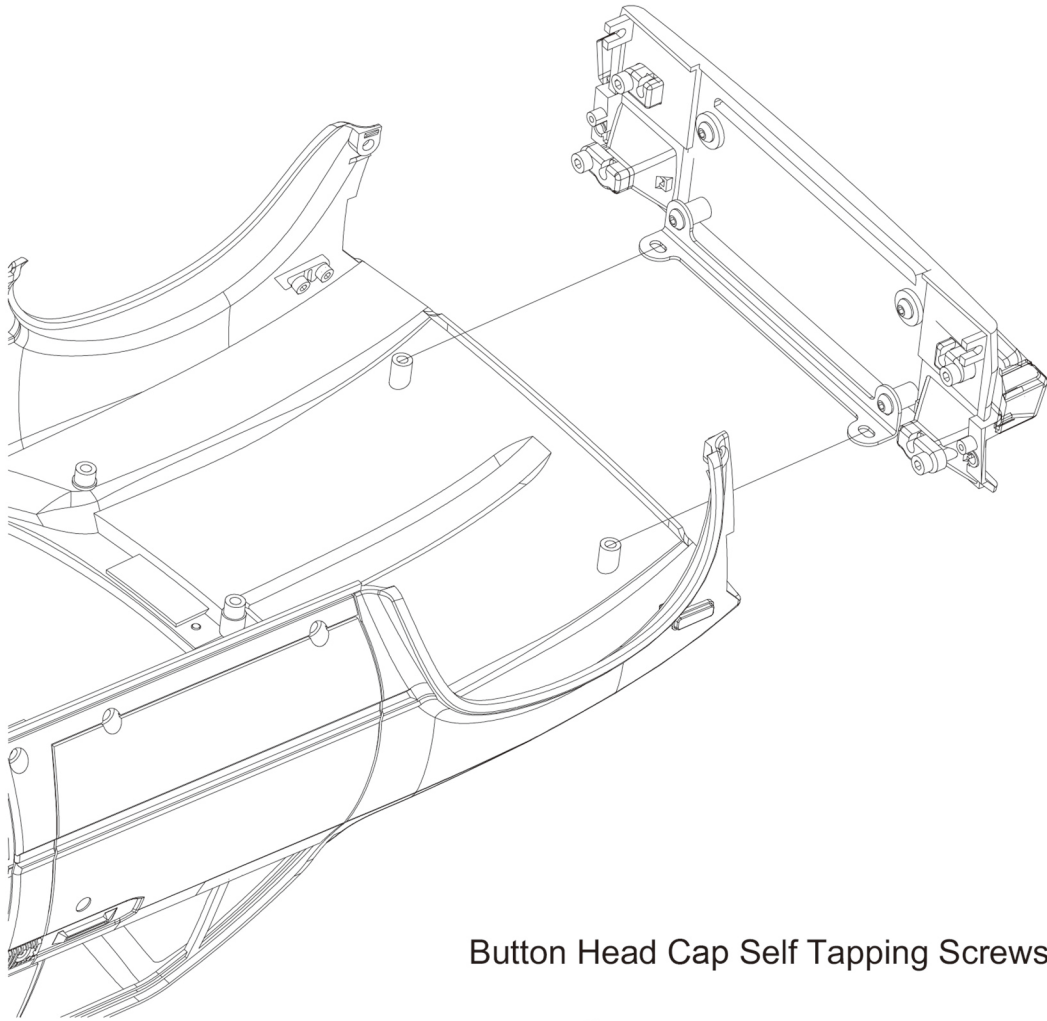


●11 Glue required

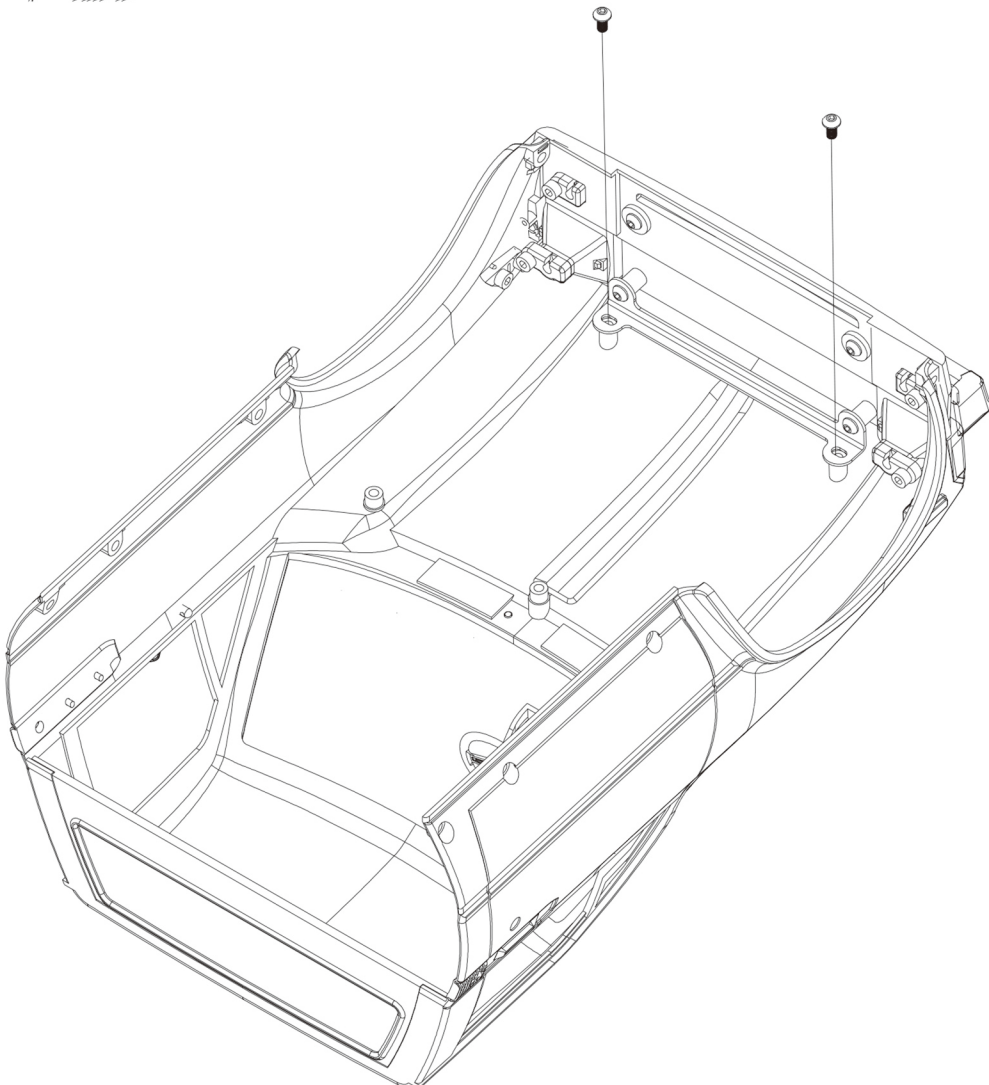


Instant glue/plastic cement

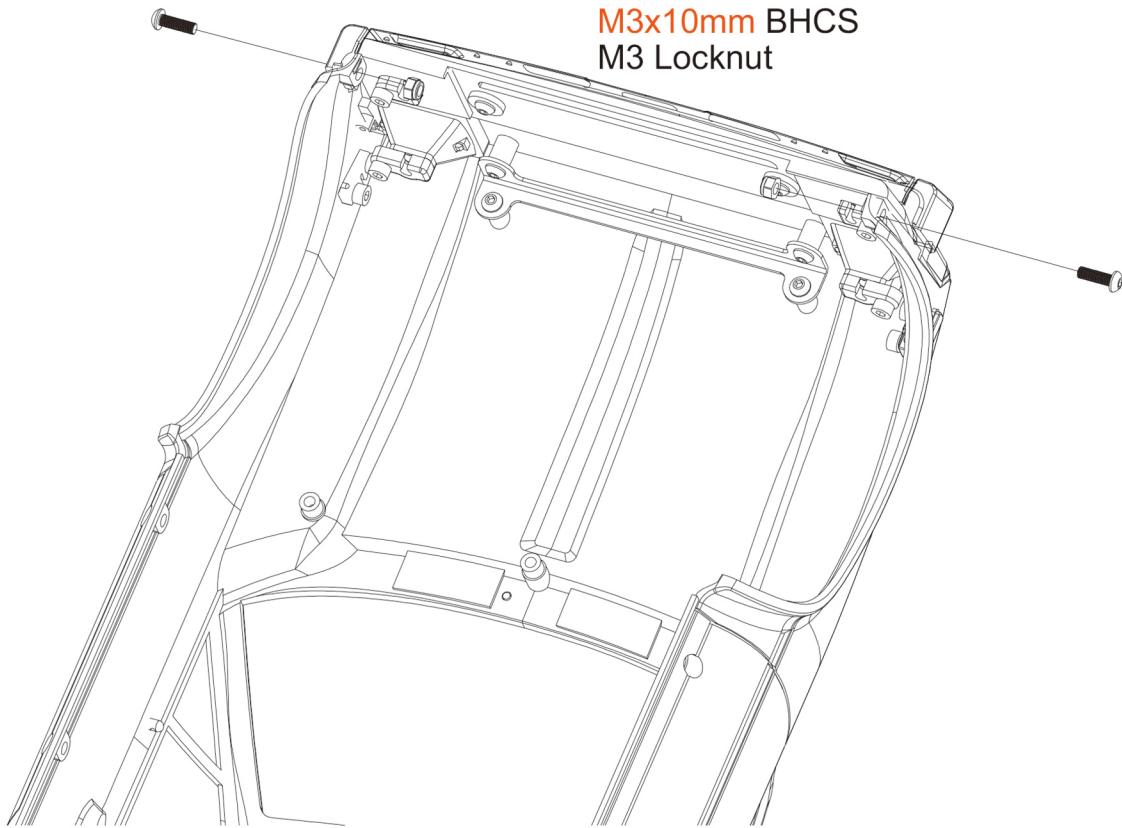




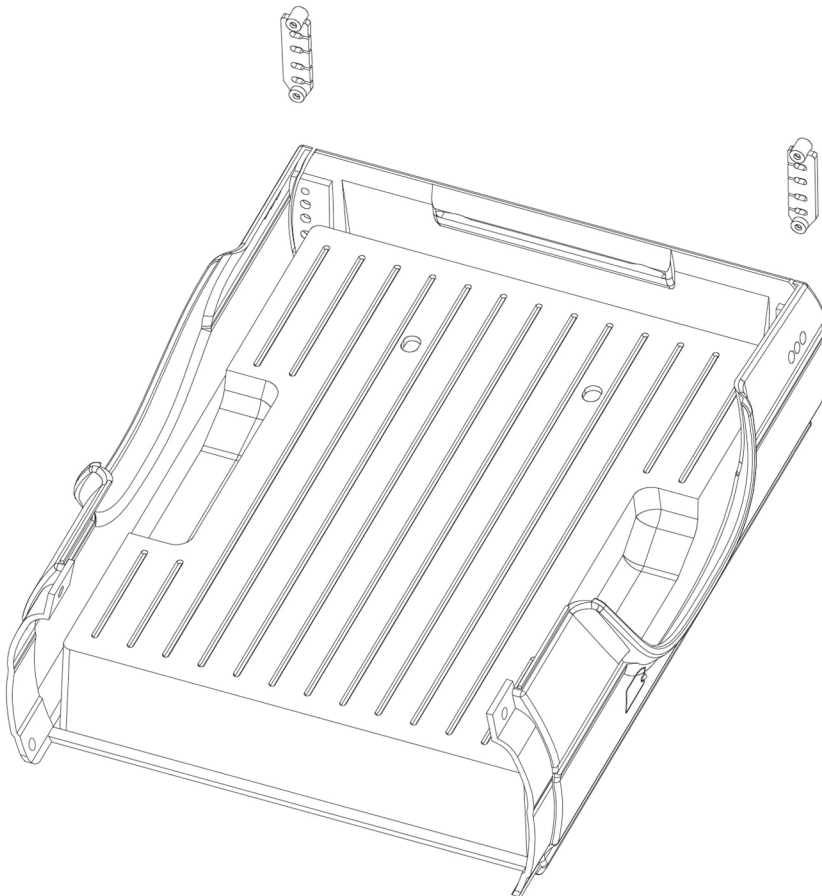
Button Head Cap Self Tapping Screws **M3x6mm**

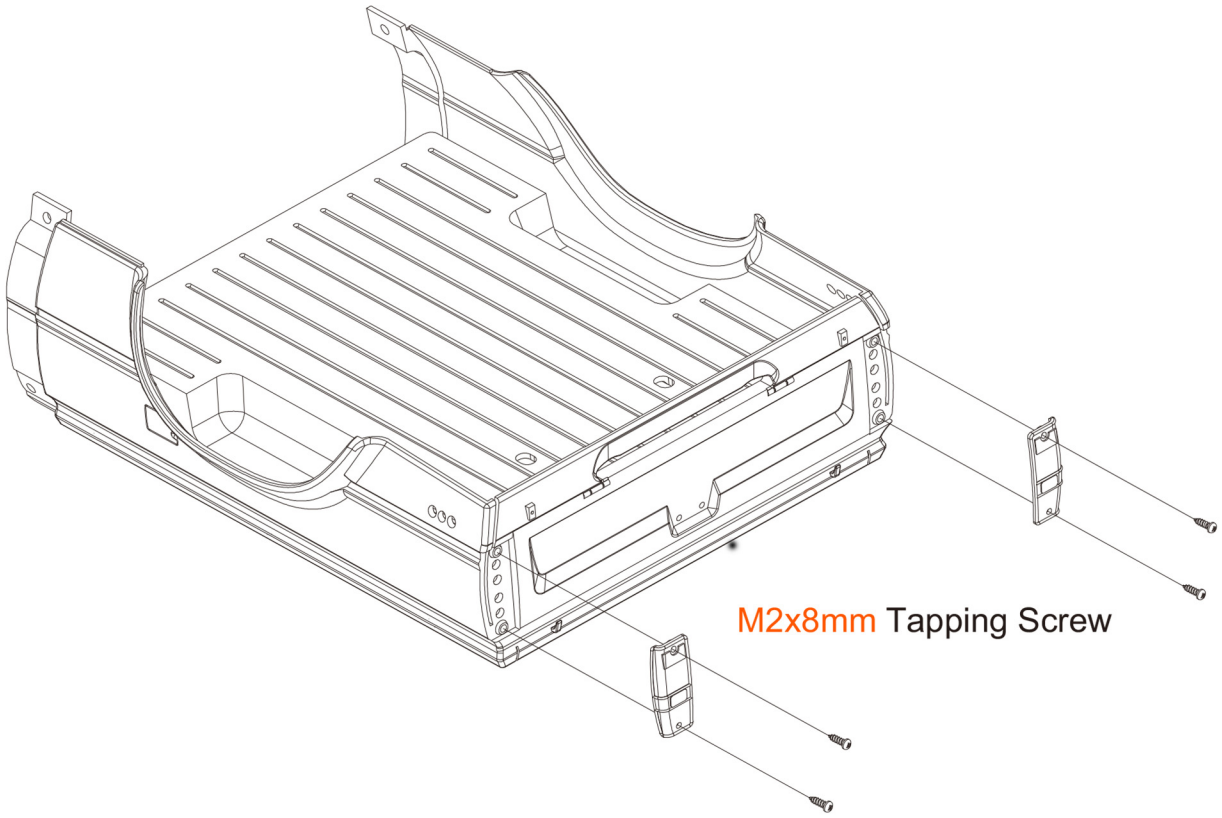


●13



●14 Install rear light cover

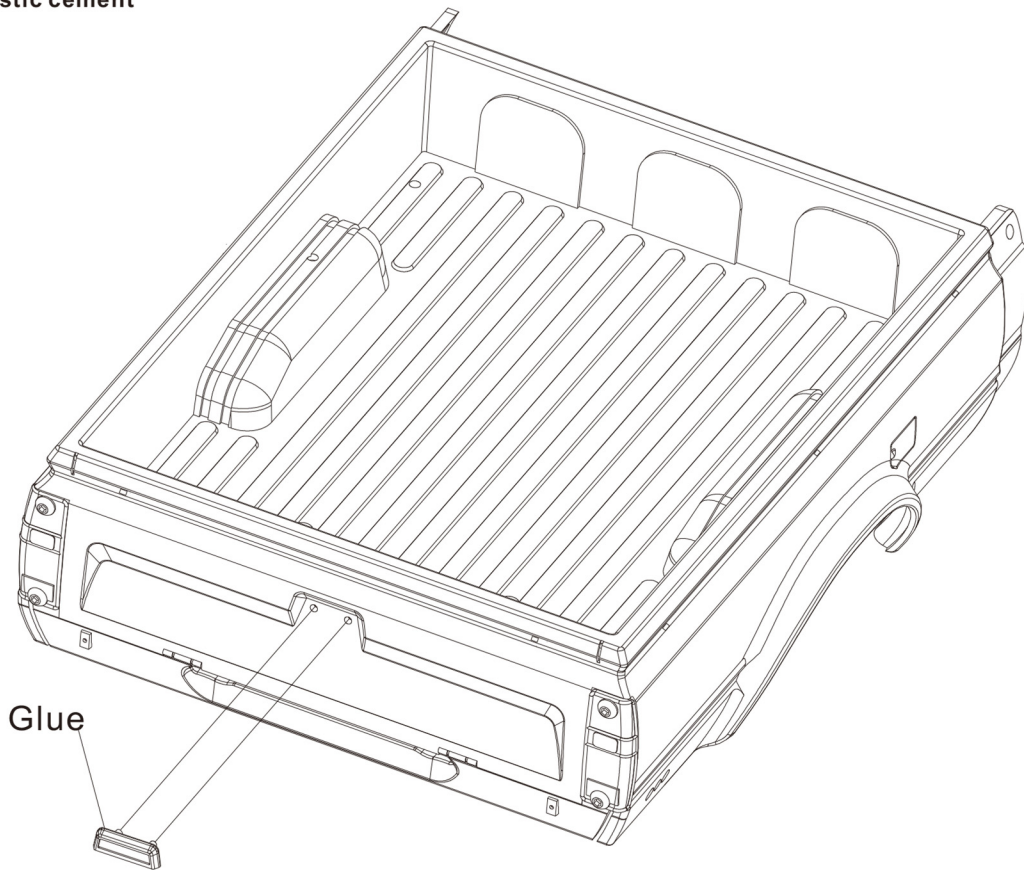




●15 Glue required



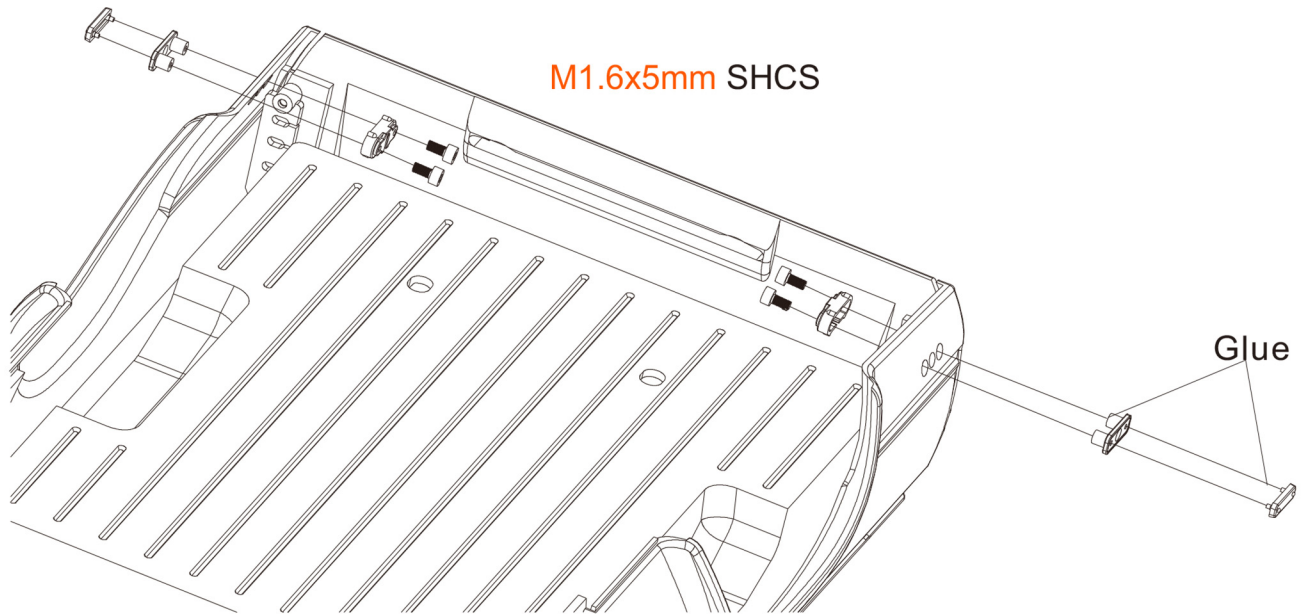
Instant glue/plastic cement



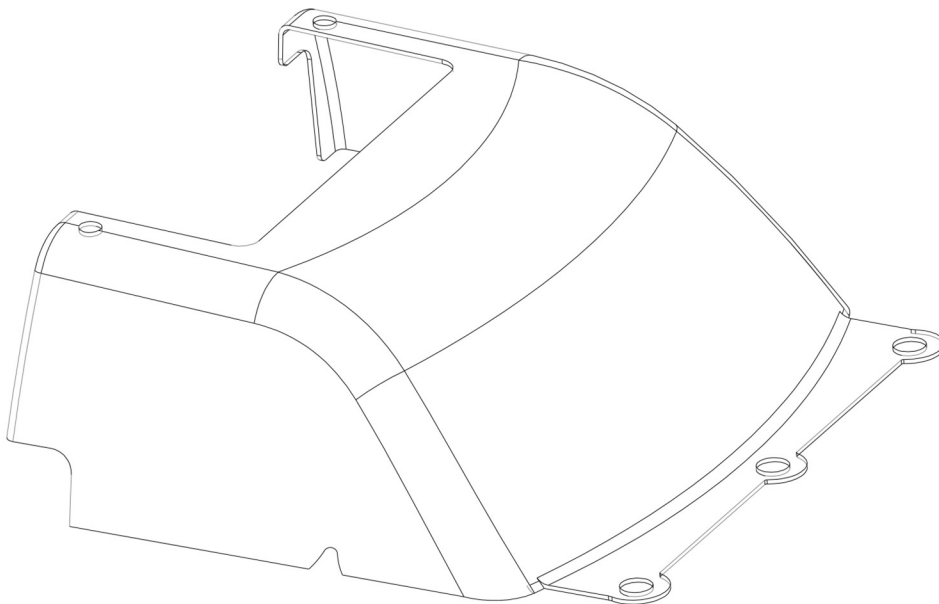
●16 glue required



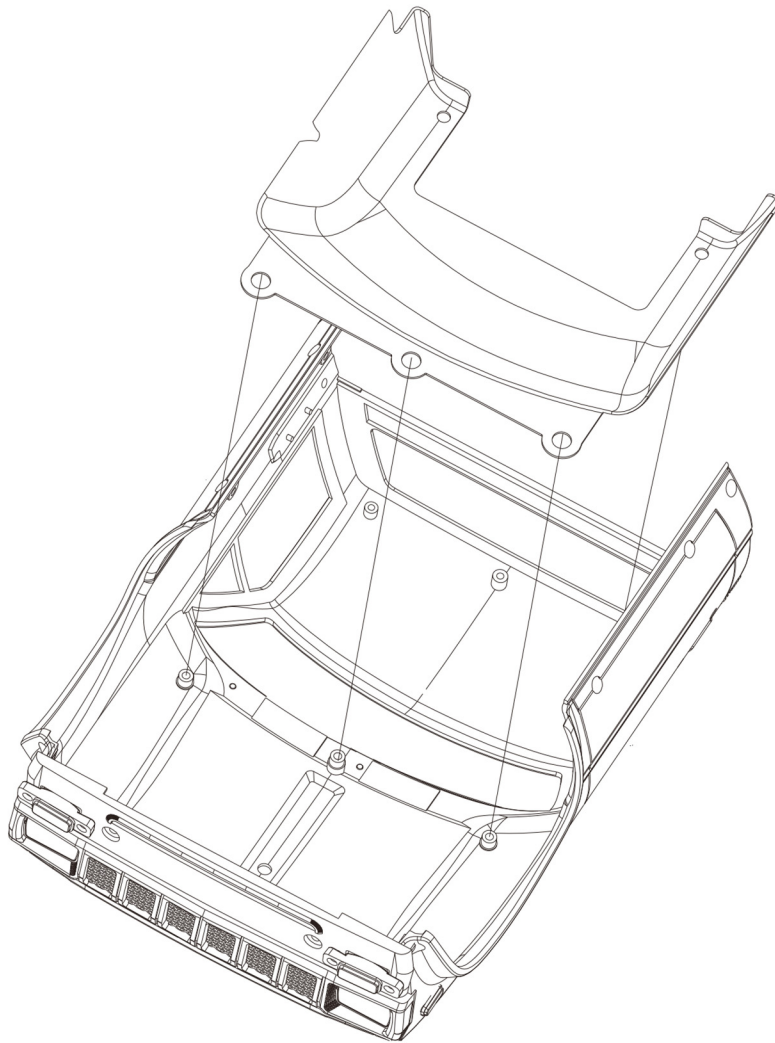
Instant glue/plastic cement



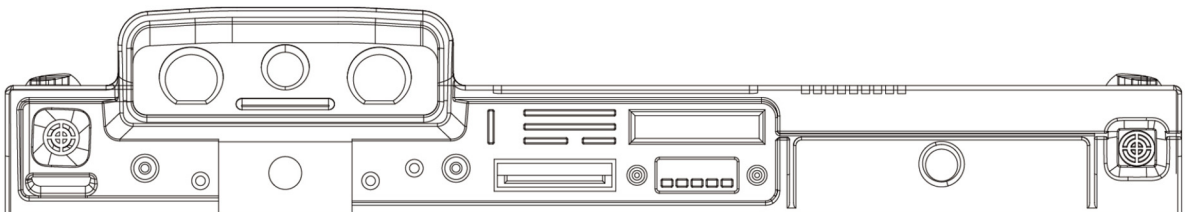
●17 The windshield needs trimming before installation



●18 Truck window installation

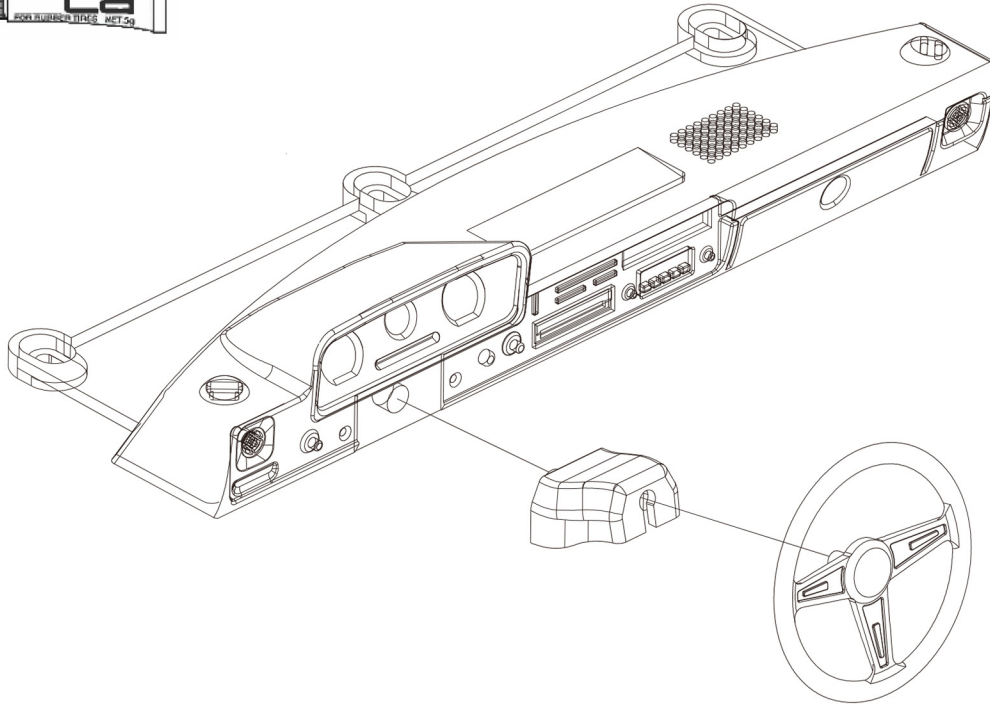


●19 The installation of dashboard sticker



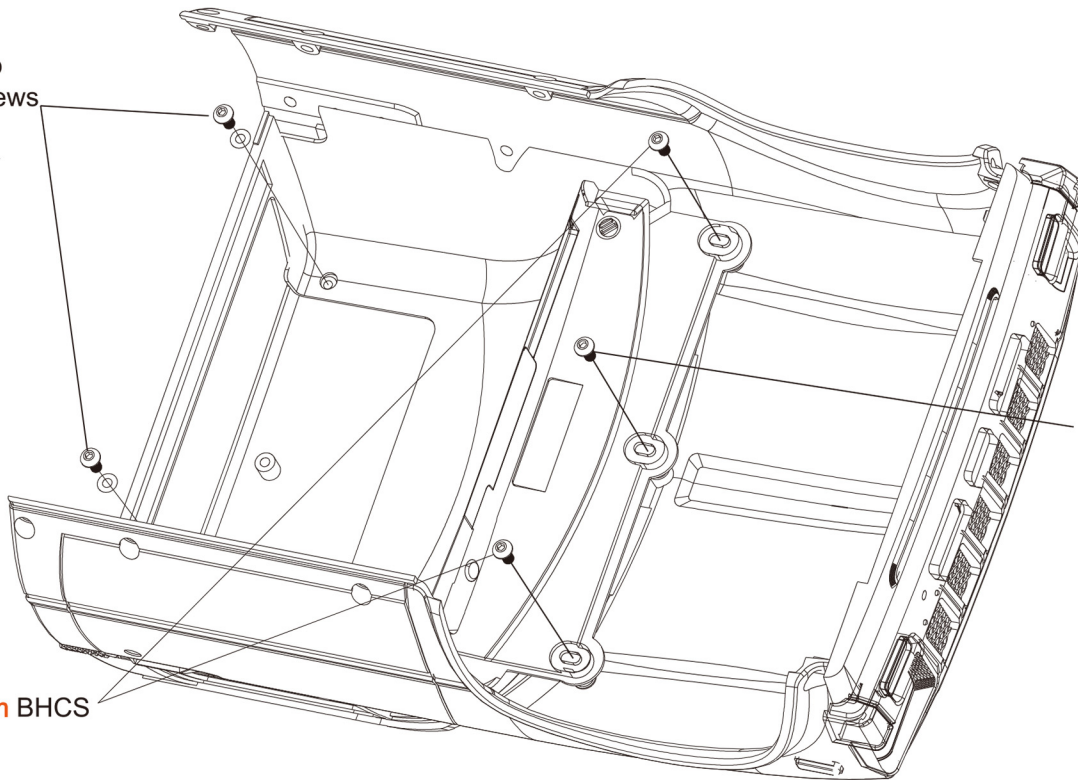
●20 Install the steering wheel and the mount

glue required



●21 Windows and instrument panel installation

Bottom Head Cap
Self Tapping Screws
M3x4mm
M3x1mm Spacer

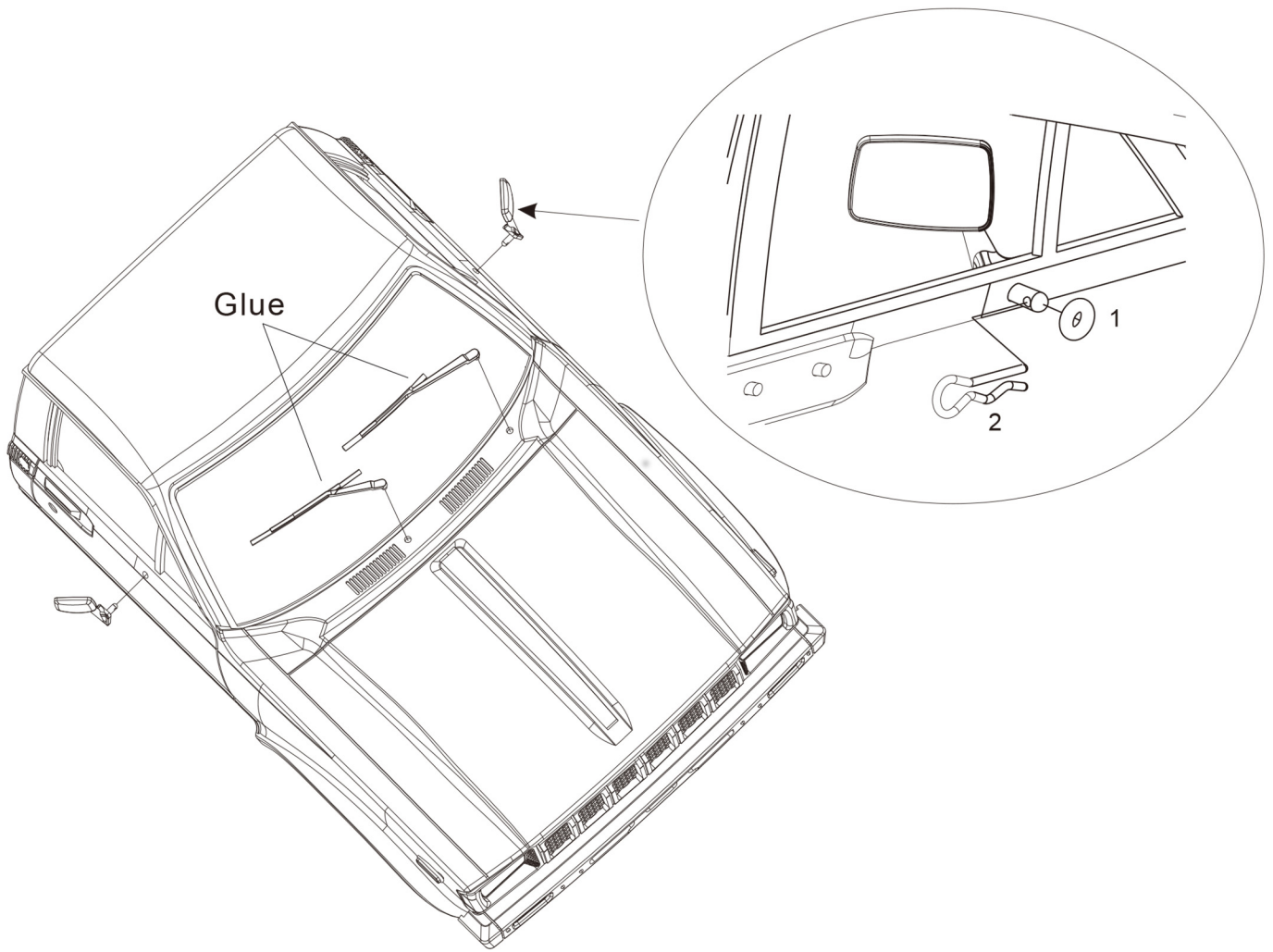


Bottom Head Cap
Self Tapping Screws
M3x8mm

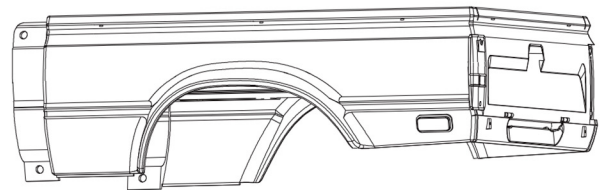
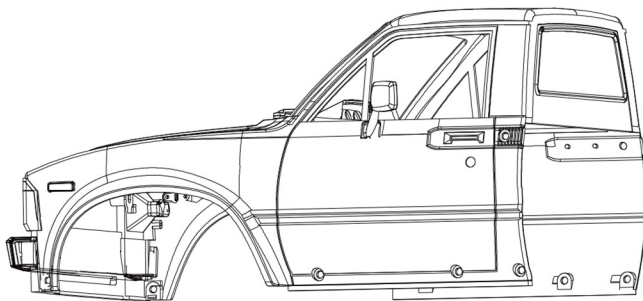
M3x6mm BHCS

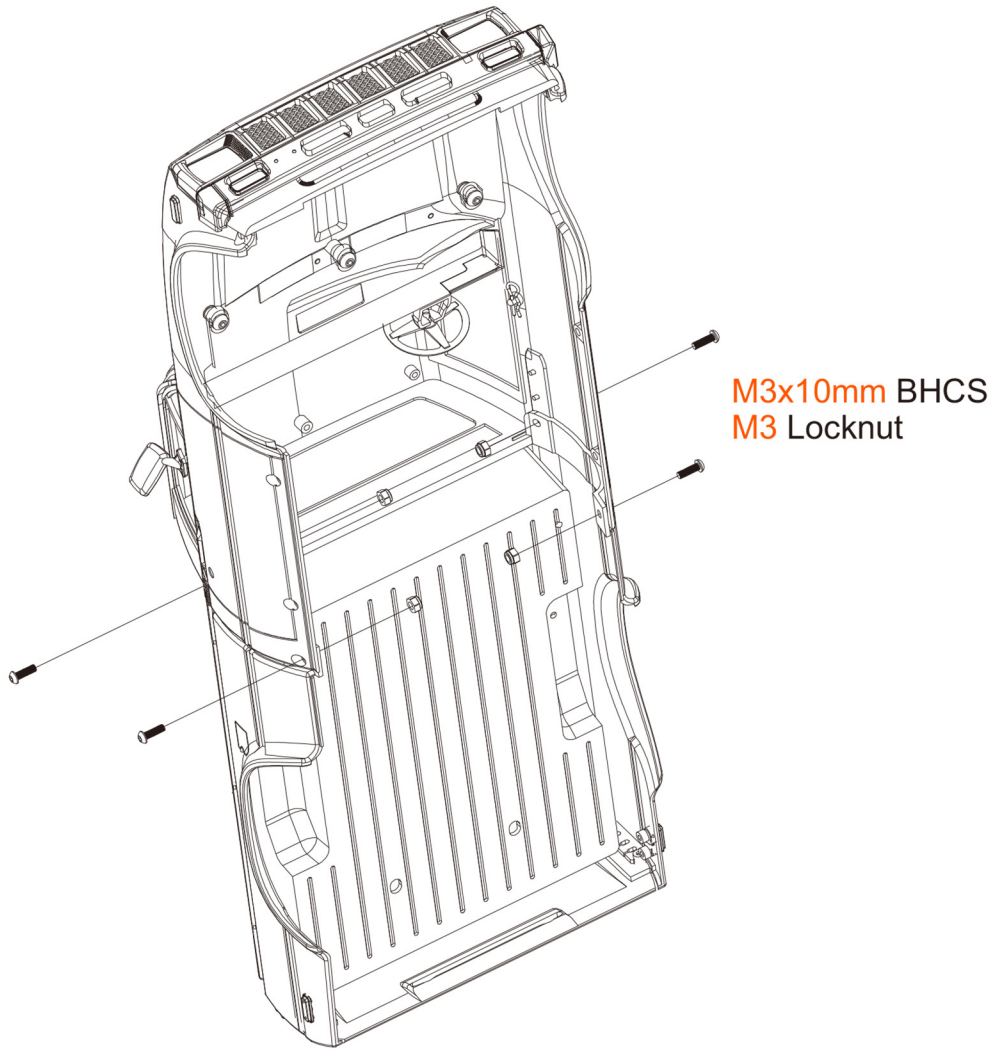


22 Glue required



23

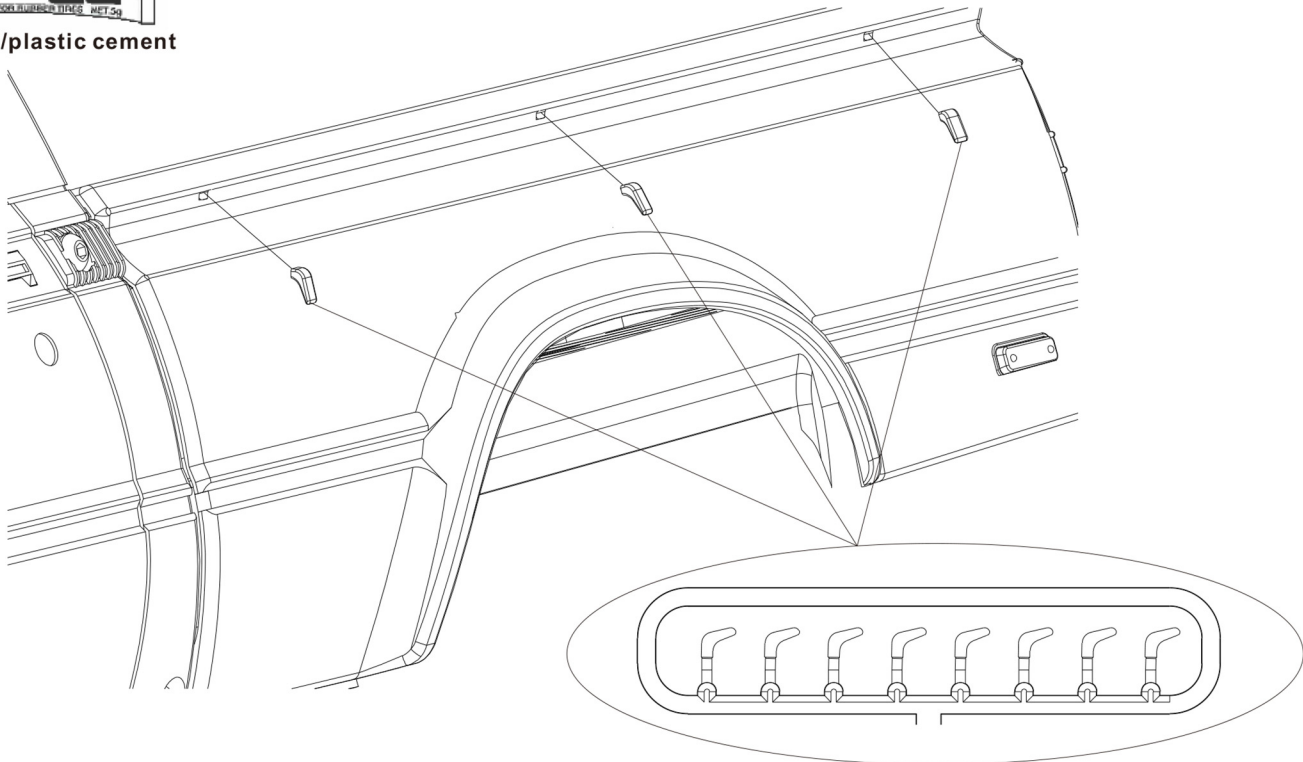


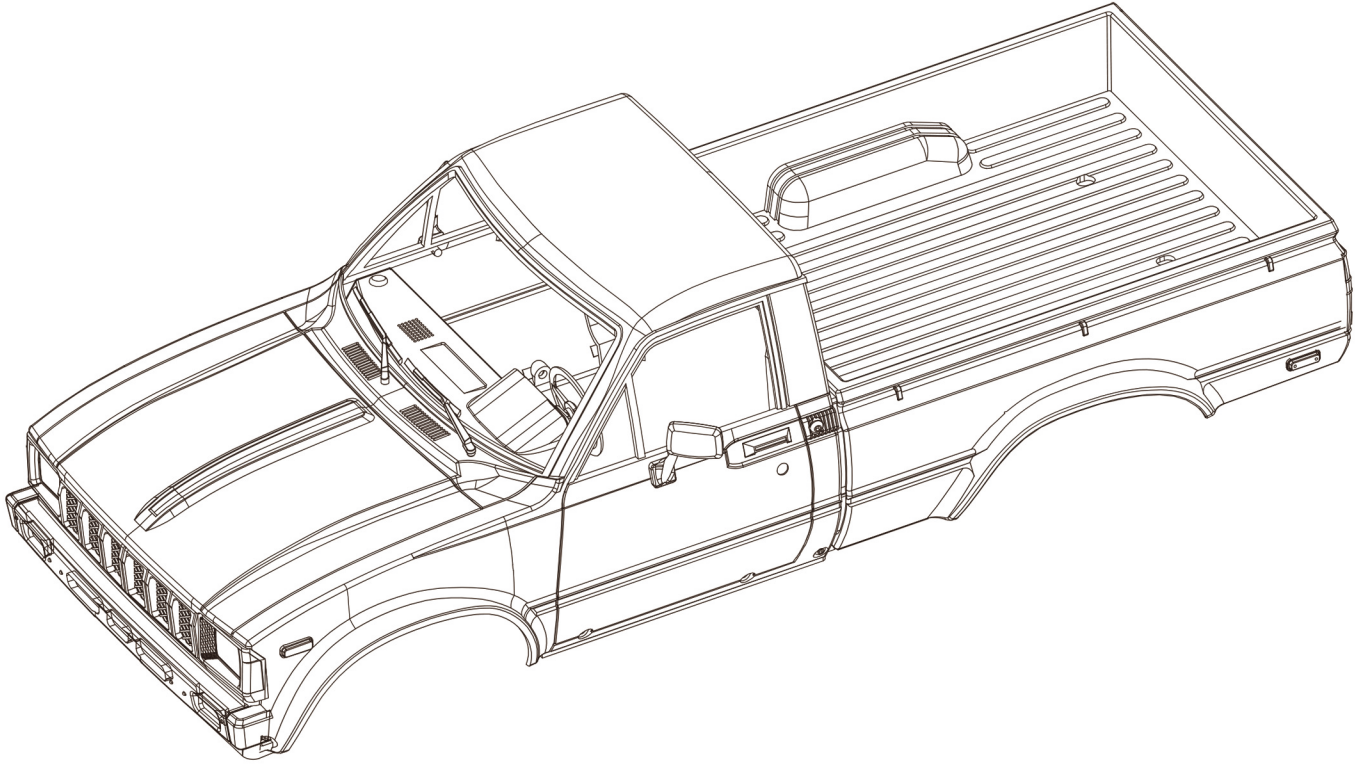


●25 Glue required



Instant glue/plastic cement





Mojave II

Included parts

RC4WD Mojave II Body Set for Trail Finder 2 (Primer Gray) (Z-B0084)
RC4WD Mojave II Front Cab (Primer Gray) (Z-B0070)
RC4WD Mojave II Rear Bed (Primer Gray) (Z-B0072)
RC4WD Mojave II Cab Back Panels and Grill Parts Tree (Primer Gray)(Z-B0074)
RC4WD Mojave II Chrome Bumper and Parts Tree(Z-B0076)
RC4WD Mojave II Clear Parts Tree(Z-B0078)
RC4WD Mojave II Dash and Wiper Parts Tree (Black)(Z-B0080)
RC4WD Mojave II Rubber Mirror (Z-B0082)
Clear Lexan Windshield for Tamiya Hilux or RC4WD Mojave Body (Z-B0004)
RC4WD Mojave II Body Hardware KIT(Z-S1535)

Optional parts

1/10 Metal Emblem for Tamiya Hilux (VVV-C0007)
ARB 1/10 Roof Rack (Z-X0008)
Clear Lexan Windshield for Tamiya Hilux or RC4WD Mojave Body (Z-B0004)
Front Hood and Window Deflector Set for Mojave and Hilux Bodies (Z-S1377)
Lettering Kit for Mojave and Tamiya Hilux/Tundra Bodies (Z-S0551)
Leather Seats for Hilux (Brown) (VVV-C0071)
Leather Seats for Hilux (Black) (VVV-C0069)
Mojave Grill and Dash parts tree (Black) (Z-B0041)
Mojave Mirror and Wiper Parts Tree (Chrome)(Z-B0040)
RC4WD 1/10 4 Wheel Drive Emblem Set (Z-S1130)
RC4WD 1/10 454 Emblem Set (Z-S1136)
RC4WD 1/10 5.0 Emblem Set (Z-S1134)
RC4WD 1/10 RS Emblem Set (Z-S1135)
RC4WD 1/10 SS Emblem Set (Z-S1137)
RC4WD 1/10 Turbo Diesel Emblem Set (Z-S1132)
RC4WD 1/10 Super Charged Emblem Set (Z-S1138)
RC4WD 1/10 V6 Emblem Set (Z-S1131)
RC4WD 1/10 V8 Emblem Set (Z-S1133)
RC4WD Tightfit Truck Topper for the Mojave and Hilux Bodies (Z-B0047)
Rear Detailed Lenses for Tamiya Hilux, Brusier and RC4WD Mojave (VVV-C0103)
Rear View Mirror for Hilux, Bruiser, and Mojave (VVV-C0055)
Scale Bench Seat for Mojave Body (Z-B0032)

Mailing Address:

RC4WD
618 Blossom Hill Road, Ste: 201.
San Jose, CA 95123 USA
Web: rc4wd.com Email: support@rc4wd.com

